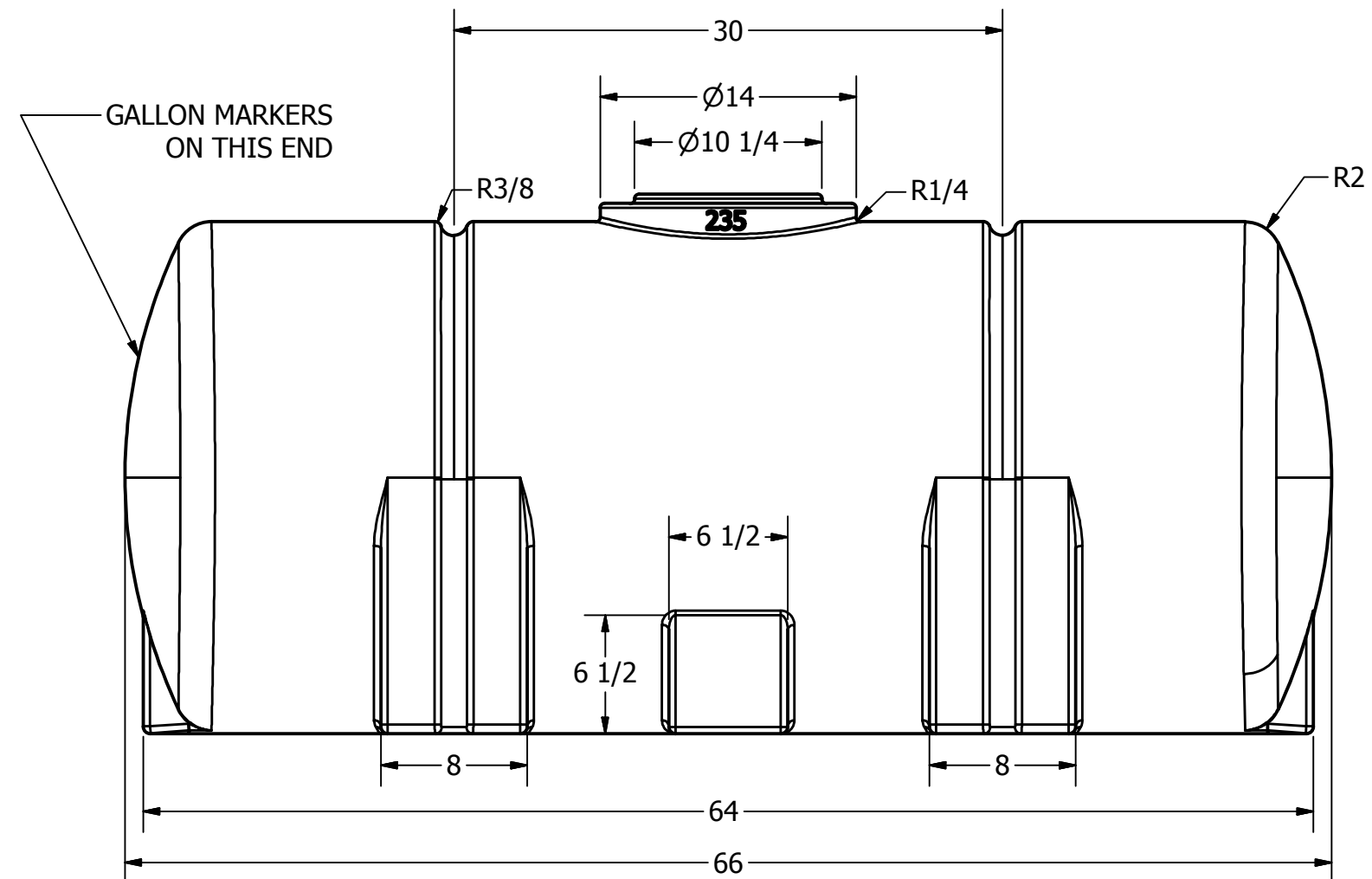
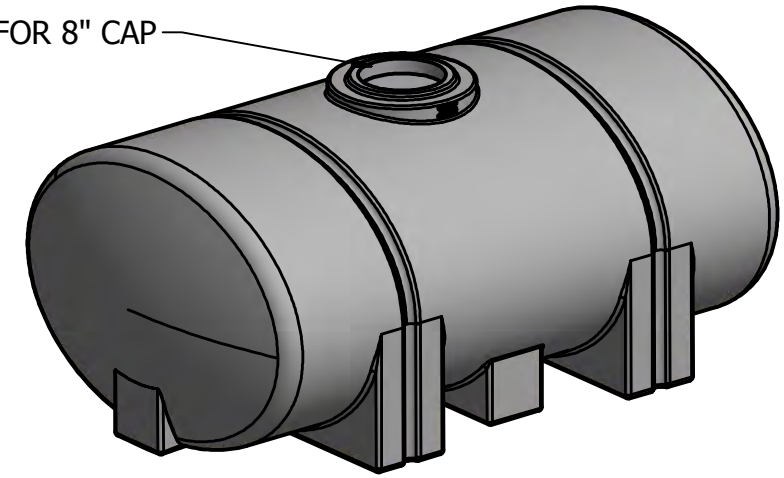
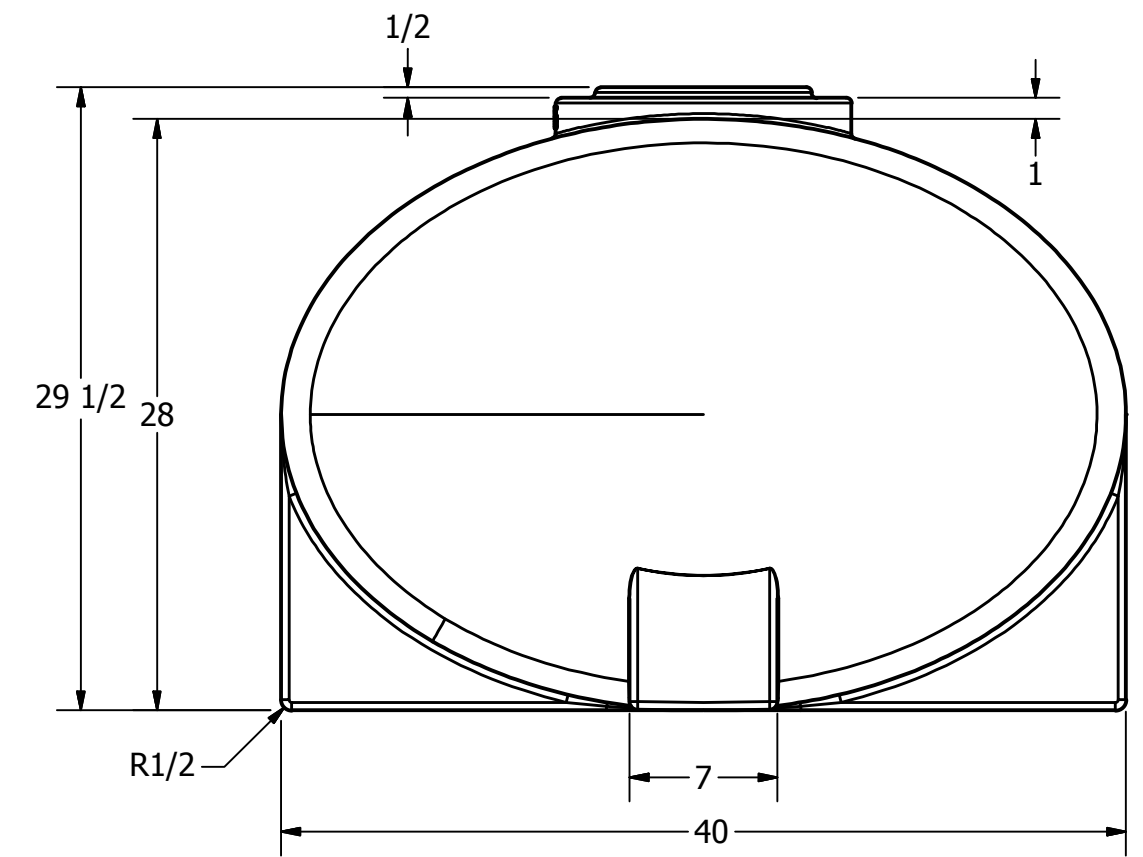



THREADS FOR 8" CAP



GALLON MARKERS ON THIS END



DRAWN Liv Oltean	7-15-2016	 NORWESCO, INC. SAINT BONIFACIUS, MN		
CHECKED				
QA		TITLE 235 GALLON ELLIPTICAL LEG TANK		
MFG				
APPROVED				
		SIZE B	DWG NO	REV A
		SCALE: 1/16	SHEET 1 OF 2	